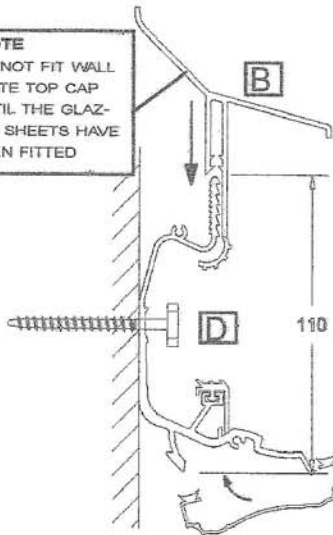


NOTE
DO NOT FIT WALL PLATE TOP CAP UNTIL THE GLAZING SHEETS HAVE BEEN FITTED



1. FIT WALL PLATE

FIT THE WALL PLATE TO THE BACK WALL OF THE HOUSE. REF D

MAKE SURE YOU USE ENOUGH FIXINGS TO ATTACH YOUR ROOF SECURELY TO THE BACK WALL

CHECK YOUR ROOF PLAN, WHICH COMES WITH YOUR KIT, FOR THE CORRECT HEIGHT TO FIX THE WALL PLATE IN RELATION TO THE EAVES BEAM.

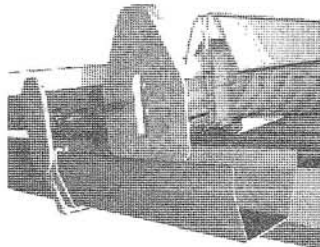
ROOF IS SET TO CORRECT HEIGHT IF THE HOLES IN THE GLAZING BARS LINE UP WITH WITH THE HOLES IN THE EAVES BEAM AND WALL PLATE.

NOTE
DO NOT FIT WALL PLATE BOTTOM CAP UNTIL ROOF IS FINISHED.

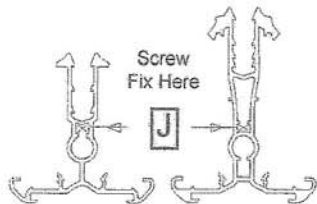
6. FIT RAFTER END PLATES

WITH THE THE SUPPLIED SCREWS FIX THE GLAZING BAR END PLATES

USE THE CORRECT HOLE ON THE END PLATE TO SUIT THE THICKNESS OF GLAZING SO THAT THE END PLATE COVERS THE GLAZING BAR TOP CAP. REF J



Choose hole that best suits thickness of glazing



5. GLAZE PANELS

THE GLAZING BARS CAN BE GLAZED WITH ANY THICKNESS OF GLAZING FROM 16-35MM.

EACH PANEL HAS A JOB LABEL, ON THIS LABEL IT GIVES A PANELS NUMBER. PANELS ARE NUMBERED FROM LEFT TO RIGHT FACING ROOF, LOCATE THE 1ST PANEL & LAY PANEL IN BETWEEN GLAZING BARS WITH THE PVC END DRIP OF THE SHEET JUST LIPING OVER THE FRONT OF THE GLAZING BAR.

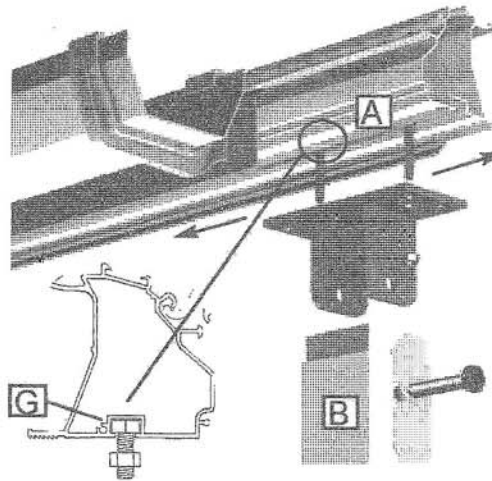
IMPORTANT - 1st FIT WALL PLATE TOP CAP

BEFORE YOU FIT THE GLAZING BAR TOP CAPS FIRST FIT THE WALL PLATE TOP CAP BY CLIPPING IT DOWN UNTIL THE RUBBER SEAL TOUCHES THE GLAZING PANELS ON THE ROOF



IMPORTANT. SPRAY LUBRICATION ON THE PANELS EITHER SIDE OF THE GLAZING BAR TO BE CAPPED. THIS HELPS THE CAPS CLIP DOWN. STARTING AT THE BACK END OF THE ROOF GENTLY BUT FIRMLY PUSH OR TAP DOWN THE CAP UNTIL THE GLAZING BAR TOUCHES THE PANEL, WORKING YOUR WAY DOWN TO THE FRONT.

TOP CAPS MUST BE LUBRICATED BEFORE BEING CLIPPED DOWN



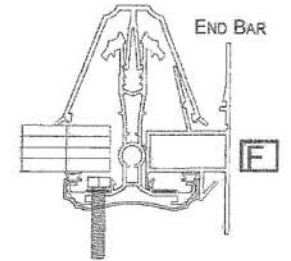
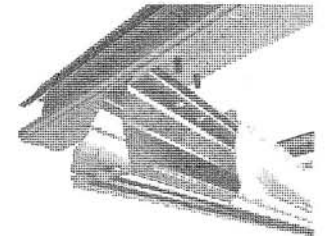
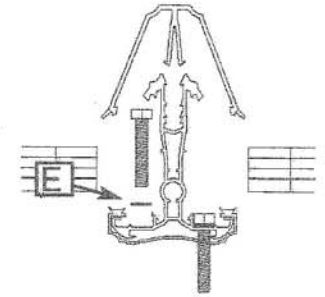
1. FIT EAVES BEAM TO SUPPORTS

FIX SUPPORT LEGS (REF B) TO EAVES BEAM (REF A) WITH M8x30MM BOLTS SUPPLIED. (REF G) 2 BOLTS ARE REQUIRED FOR EACH BRACKET. ENSURE THAT YOU SLIDE ENOUGH BOLTS INTO THE EAVES BEAM TO FIX ALL OF THE LEGS BEFORE YOU BEGIN.

IF GROUND IS UNEVEN CUT LEGS TO REQUIRED HEIGHT.

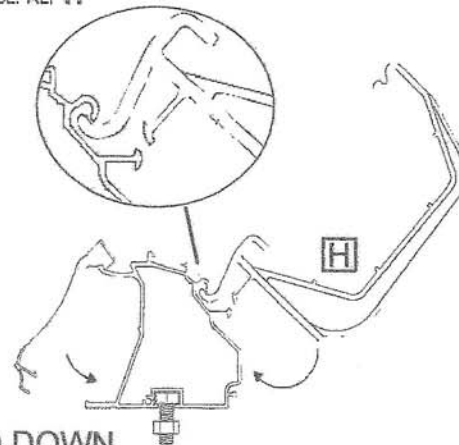
USE M6 x 80MM BOLT TO SECURE BRACKET TO SUPPORT LEGS. IF YOU HAVE CUT LEGS YOU WILL NEED TO REDRILL A FIXING HOLE FOR THE M8x80 BOLT 102MM FROM THE END.

ADJUST SUPPORT LEGS TO REQUIRED SPACING AND TIGHTEN FIXING BOLTS ON EAVES BEAM.



4. CLIP ON GUTTER BRACKETS

CLIP ON GUTTER BRACKETS BY HOOKING BRACKET ONTO EAVES BEAM AS SHOWN AND ROTATE DOWN UNTIL IT LOCKS INTO PLACE. REF H



3. FIT GLAZING BARS

EACH BAR HAS 4 HOLES PUNCHED INTO IT. ONE PAIR OF HOLES SET 20MM FROM END FOR THE WALL PLATE THE OTHER PAIR ARE SET 110MM FROM THE END FOR THE EAVES BEAM

THE M6x20MM BOLTS ARE FOR THE WALL PLATE, THE M6 x 30MM BOLTS ARE FOR THE EAVES BEAM

FIX THE GLAZING BARS TO THE ROOF USING M6 BOLTS SUPPLIED ENSURE THAT THE RUBBER SEALING WASHERS ARE ON THE BOLTS FOR THE EAVES BEAM END BEFORE FIXING THE BOLTS REF E

NOTES

THE TWO END BARS OF THE ROOF KIT ONLY REQUIRE ONE BOLT EITHER END & THIS BOLT IS PUT ON THE INSIDE HOLE ON THE GLAZING SIDE, SEE REF F